

# Don't Wait



## **Océ TC4 scanner**

Large format color scanner for fast, high quality results



# Océ TC4 scanner

Whatever kind of large format documents you use, you don't want to wait to get your documents scanned into digital form. And you want your scans to be of consistently high quality. With maximum information retention, right down to the finest details and handwritten annotations. That's what you get with the Océ TC4 color and monochrome scanner. Our advanced scanning technology gives you a powerful capability to scan and send your data securely to the correct destination. You'll get the results you expect every time, for large format documents and content of every kind. Without waiting.

## FAST SCANNING RESULTS

Whenever you want to scan hard-copy documents to make your information secure, the Océ TC4 scanner won't keep you waiting. There's no warm-up time—the scanner is always available when you need it, so you can start scanning immediately. And, with its high scanning speed of up to 16.4 ft./min. (5 m/min.) black & white or 13 ft./min. (4 m/min.) color, even the largest documents are handled quickly and efficiently.

## EXCELLENT QUALITY AND HIGH RELIABILITY

Océ's breakthrough Direct Scan Technology ensures accurate scanning and outstanding image quality every time, with both color and black & white documents. The unique "single camera, single mirror" architecture ensures consistently accurate color over long periods of operation, with the same excellent legibility and detail reproduction every time. And high reliability is assured, thanks to the high-quality optics and robust design.

## TIME-SAVING, SECURE WORKFLOW

You'll save even more time by predefining your scan settings or file destinations in templates, which you can recall instantly whenever you need them for repeat jobs. While the scan job manager makes

it easy to manage your scan jobs, without wasting time tracing your files. Giving you secure control of your workflow, you can scan to the controller or if required directly to your project archive. So you can always be sure that information reaches the right destination.

## OCÉ COLOR IMAGE LOGIC TECHNOLOGY

Océ Color Image Logic™ intelligent image processing technology ensures automatic quality optimization while scanning even the most difficult documents—for example mixed originals, maps, photos, offset materials, and review drawings with handwritten annotations. Quality is right first time, with no need for complex manual settings. Which makes your work simpler and saves you even more time.

## GROWTH PATH TO OCÉ LARGE FORMAT COPYING SYSTEM

You can extend your Océ TC4 scanner at any time with one of the Océ-branded large format printers in the Océ TDS (black & white) and Océ TCS (color) ranges. That will give you a high speed, large format printing and copying system, with scan-to-file capability to convert all your existing hard-copy documents into secure, easily accessible digital files. The complete system offers concurrent scanning, copying, and printing. For maximum productivity without time-wasting waiting.

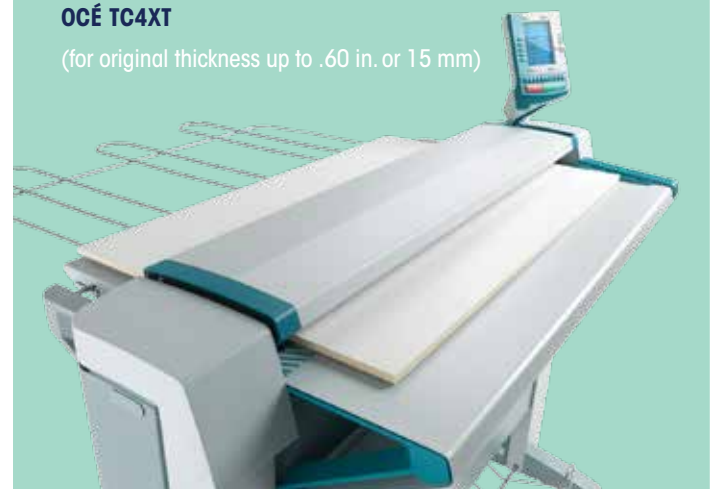
### OCÉ TC4

(for original thickness up to .12 in. or 3 mm)



### OCÉ TC4XT

(for original thickness up to .60 in. or 15 mm)

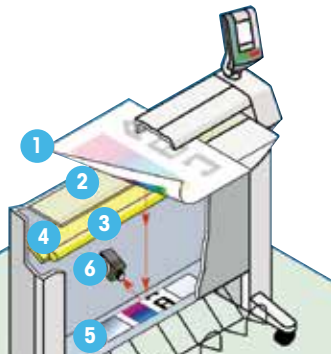


| SPECIFICATIONS              |  |
|-----------------------------|--|
| Scan technology             | Océ Direct Scan (single camera, single mirror, innovative light source)<br>Océ Color Image Logic technology (intelligent image processing for color and monochrome)  |
| Two configurations          | Océ TC4 for original thickness up to .12 in. (3 mm)<br>Océ TC4XT for original thickness up to .60 in. (15 mm)  |
| Speed                       | B/W 16.4 ft./min. (5 m/min.)<br>Color 13 ft./min. (4 m/min.)   |
| Resolution                  | 600 dpi  |
| Scan accuracy               | 0.1% ± 1 pixel   |
| 1:1 accuracy                | <0.3% for E size (A0)  |
| Warm-up time                | None, instant behavior   |
| Original sizes              | Image width: 8–36 in. (200–914 mm)<br>Original width: 8–40 in. (200–1016 mm)<br>Original length: 8 in.–49 ft. (200 mm–15 m)  |
| Size recognition            | Automatic width detection<br>Measured width displayed on the user interface  |
| User interface              | Intuitive and multi-language support<br>Five user-defined scan-to-file templates<br>Select scan destination from user interface  |
| Data formats                | TIFF (uncompressed, PackBits, G3, G4, LZW), PDF (uncompressed, FLATE, LZW, G4), CALS, JPEG   |
| Océ Power Logic® controller | Memory: 1 GB<br>Hard disk capacity: 250 GB   |
| Océ Scan Logic® software    | View scans at the scanner (optional monitor required)<br>Manage scan jobs<br>Automatically generates unique file name<br>Ten programmable destinations, selectable from user interface<br>Scan destinations to: web using FTP, network directory, controller |
| Océ remote applications     | View system status<br>Customize default settings<br>Password-protected user rights   |
| Dimensions (W x D x H)      | 51" x 26" x 41" (1300 mm x 650 mm x 1050 mm)   |
| Weight                      | 154.3 lbs. (70 kg)   |
| Electrical                  | 100–230 V, 50–60 Hz  |
| Optional                    | Océ Account Center (accounting application)  |

### OCÉ DIRECT SCAN

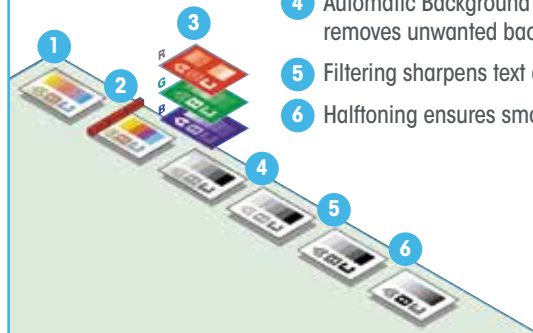
- 1 Original
- 2 Glass plate keeps out dust
- 3 Innovative lamp ensures consistently accurate colors over long periods of operation
- 4 Reflector redirects light beams, avoiding shadows
- 5 Single mirror eliminates risk of distortion

- 6 Single high-resolution camera ensures consistent colors and high sharpness



### OCÉ COLOR IMAGE LOGIC TECHNOLOGY

- 1 Original
- 2 Scanning
- 3 Color module converts RGB data to grays, making sure that the lightest colors are visible (e.g. yellow)
- 4 Automatic Background Compensation removes unwanted background
- 5 Filtering sharpens text and lines
- 6 Half-toning ensures smooth gradients



## Environmental Certifications



### Mixed Sources

Product group from well-managed forests and other controlled sources  
www.fsc.org Cert no. SCS-COC-00856  
© 1996 Forest Stewardship Council



## Awards



communication design award

2006



product design award

2006



product design award

2007 gold



product design award

2008



## Partners Certifications



## Creating global leadership in printing

Canon and Océ join forces to create the global leader in the printing industry. For our customers this combines Canon and Océ technology with the support of sales and service organizations. Look to the new Canon-Océ combination for:

- Enterprise printing in the office and corporate printroom
- Large format printing of technical documentation, signage and display graphics
- Production printing for marketing service bureaus and graphic arts
- Business services for document process outsourcing

For information and services, visit us at:  
[www.cla.canon.com](http://www.cla.canon.com)



[www.cla.canon.com](http://www.cla.canon.com)

Canon U.S.A., Inc.  
One Canon Park  
Melville, NY 11747